



**BURNSTAD
CONSULTING
Ltd.**

**FOOD FACILITIES
PLANNING SPECIALISTS**

SUITE 311 - 316
WINDERMERE ROAD
EDMONTON, ALBERTA
T6W 2Z8
TEL (780) 414-6116
FAX (780) 414-6117
www.burnstadconsulting.com

COPYRIGHT RESERVED. THIS PLAN AND DESIGN IS AND AT ALL TIMES REMAINS THE EXCLUSIVE PROPERTY OF BURNSTAD CONSULTING LTD AND MAY NOT BE USED WITHOUT THE CONSULTANTS WRITTEN CONSENT. THIS DRAWINGS IS NOT TO BE SCALED. THE CONTRACTOR IS TO VERIFY ALL DIMENSIONS BEFORE PROCEEDING WITH WORK. ALL DISCREPANCIES ARE TO BE IMMEDIATELY REPORTED TO THE CONSULTANT.

REVISIONS:

**DR. GERALD
ZETTER CARE
CENTRE**
EDMONTON, ALBERTA

**Existing
Ware Washing Area
Fixture Plan**

DATE: **August 15, 2023**

SCALE: **1/4" = 1'-0"**

DRAWN BY: **SCB**

DESIGNED BY: **DRB**

SHEET NO.: **K-1**

DISHWASHER & ALL ASSOCIATED EQUIPMENT TO BE ELECTRICALLY AND MECHANICALLY DISCONNECTED & SAFELY TERMINATED WHILE UPGRADES TO ROOM ARE BEING COMPLETED. EXISTING DISHWASHER AND ASSOCIATED EQUIPMENT INCLUDING DISHTABLING AND WASTE DISPOSER TO BE REMOVED FROM KITCHEN; DISHWASHER & WASTE DISPOSER TO BE LEFT IN RECEIVING AREA FOR PICK-UP BY OTHERS AND DISHTABLING TO BE DISPOSED OF.

APPROX. LOCATION OF EXISTING CONDENSATE DUCTWORK; EXISTING DUCTWORK TO BE CUT OFF APPROX. 3" BELOW EXISTING CEILING

CAFETERIA SEATING AREA

CAFETERIA SERVERY

POT WASHING

LINE OF CONSTRUCTION HOARDING & CONSTRUCTION AREA

CIRCULAR DISHWASHER

EXISTING ELEC. DROP LOCATION

SCRAPPING STATION

WASTE DISPOSER / SCRAP TABLE DRAIN CONN.

DISHWASHER DRAIN CONN.

CART PARKING

FUNNEL FLOOR DRAIN

9'-0" T-BAR CEILING

EXISTING ELECTRICAL PANELS

SERVICE CORRIDOR

CART CLEANING

LAUNDRY

TO FRONT DESK / MAIN ENTRANCE

SERVICE CORRIDOR

NOTE: INFECTION, PREVENTION & CONTROLS REQUIREMENTS AS PER CSA STANDARD Z317.13-03 INFECTION CONTROL DURING RENOVATION OF DR. GERALD ZETTER CARE CENTRE; PREVENTIVE MEASURE (CLASS): 4 GROUP: 3 TYPE: 4



BURNSTAD CONSULTING Ltd.

FOOD FACILITIES PLANNING SPECIALISTS

SUITE 311 - 316
WINDERMERE ROAD
EDMONTON, ALBERTA
T6W 2Z8
TEL (780) 414-6116
FAX (780) 414-6117
www.burnstadconsulting.com

COPYRIGHT RESERVED. THIS PLAN AND DESIGN IS AND AT ALL TIMES REMAINS THE EXCLUSIVE PROPERTY OF BURNSTAD CONSULTING LTD AND MAY NOT BE USED WITHOUT THE CONSULTANTS WRITTEN CONSENT. THIS DRAWINGS IS NOT TO BE SCALED. THE CONTRACTOR IS TO VERIFY ALL DIMENSIONS BEFORE PROCEEDING WITH WORK. ALL DISCREPANCIES ARE TO BE IMMEDIATELY REPORTED TO THE CONSULTANT.

REVISIONS:

DR. GERALD ZETTER CARE CENTRE
EDMONTON, ALBERTA

New Ware Washing Area Fixture Plan

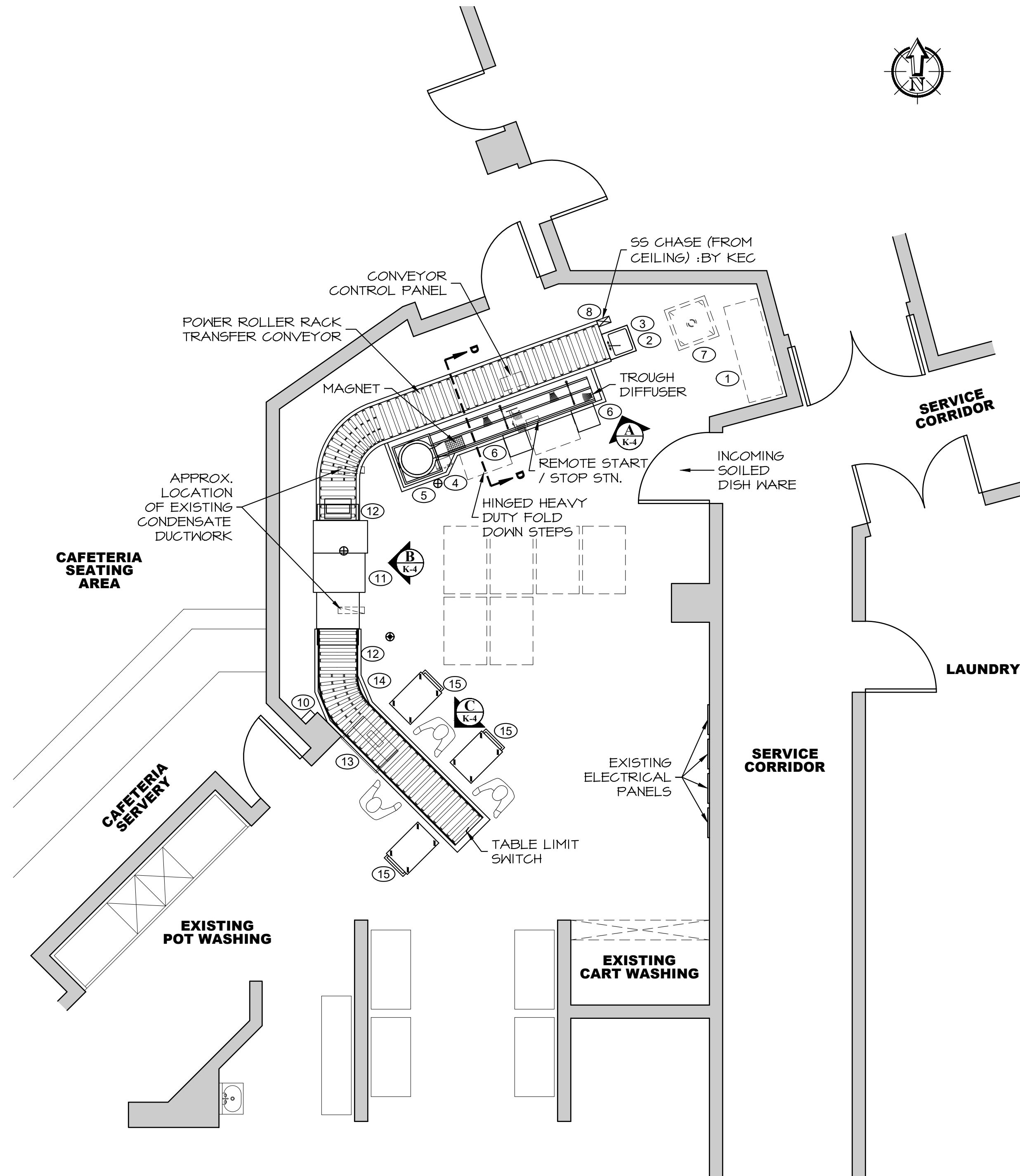
DATE: **August 15, 2023**

SCALE: **1/4" = 1'-0"**

DRAWN BY: **SCB**

DESIGNED BY: **DRB**

SHEET NO.: **K - 2**





**BURNSTAD
CONSULTING
Ltd.**

**FOOD FACILITIES
PLANNING SPECIALISTS**

SUITE 311 - 316
WINDERMERE ROAD
EDMONTON, ALBERTA
T6W 2Z8
TEL (780) 414-6116
FAX (780) 414-6117
www.burnstadconsulting.com

COPYRIGHT RESERVED. THIS PLAN AND DESIGN IS AND AT ALL TIMES REMAINS THE EXCLUSIVE PROPERTY OF BURNSTAD CONSULTING LTD AND MAY NOT BE USED WITHOUT THE CONSULTANTS WRITTEN CONSENT. THIS DRAWINGS IS NOT TO BE SCALED. THE CONTRACTOR IS TO VERIFY ALL DIMENSIONS BEFORE PROCEEDING WITH WORK. ALL DISCREPANCIES ARE TO BE IMMEDIATELY REPORTED TO THE CONSULTANT.

REVISIONS:

**DR. GERALD
ZETTER CARE
CENTRE**
EDMONTON, ALBERTA

**Ware Washing
Equipment
Schedule**

DATE: **August 15, 2023**
SCALE: **1/4" = 1'-0"**
DRAWN BY: **SCB**
DESIGNED BY: **DRB**
SHEET NO.: **K - 3**

EQUIPMENT LIST			SUPPLIER	MANUFACTURER	MODEL	ELECTRICAL SERVICES						MECHANICAL SERVICES						
No.	Description	Qty.				Load	120V	208V	Ph	Junc	Rec	Remarks	Water HW	Water CW	Waste Size	To	Exhaust CFM	Exhaust Size
1	MOBILE POT & UTENSIL SHELVING	1	E / R	METRO	MAX Q													
2	SS HAND SINK c/w FAUCET	1	KEC	AEROWERKS		4A	X		1	X		1/2"	1/2"	1 1/2"				
3	SOAP & TOWEL DISPENSERS	LOT	OWNER															
4	SOILED SCRAPPING TABLE c/w ROLLERS	1	KEC	AEROWERKS		15A		X	3	X		1/2"	1/2"	3@1 1/2"				
5	WASTE COLLECTOR	1	KEC	SALVAJOR	S419	4A		X	3	X		3/4"	3/4"	2"				SEE NOTE M4
6	PRE-WASH SPRAYS	2	KEC	T & S	B-0133-B							1/2"	1/2"					SERVICES REQ'D FOR EACH
7	MOBILE SOAK SINK	1	E / R															
8	SS SERVICE CHASE	1	KEC	CUSTOM														
9	SPARE	-	-															
10	SS SERVICE CHASE	1	KEC	CUSTOM														WIRING TO INTERNAL ELEC. BOX BY ELEC. CONTR.
11	CONVEYOR DISHWASHER c/w HOT WATER BOOSTER	1	KEC	MEIKO	KA-66	58A		X	3	X		208V / 3PH / 70A & 208V / 3PH / 4A SERVICES ALSO REQ'D	1/2"	1/2"	2"			
12	SS CONDENSATE DUCTWORK	LOT	KEC	CUSTOM										200	150x405	0.25"		SEE NOTE M3
13	BLOWER DRYER	1	KEC	SAN-AIRE	PD-100-M	5A	X		1	X								
14	CLEAN DISHTABLE c/w ROLLERS	1	KEC	AEROWERKS											1"	FFD		
15	MOBILE CARTS	3	E / R															

SUPPLIER CODE	
KEC	KITCHEN EQUIPMENT CONTRACTOR
E / R	EXISTING / RELOCATED EQUIPMENT
MECH	MECHANICAL CONTRACTOR

GENERAL NOTE:

ALL ABOVE EQUIPMENT HAS A SUPPLIER INDICATION NOTED. ANY EQUIPMENT SPECIFIED AS "KEC" WILL BE DELIVERED TO THE SITE, UNCRATED, ASSEMBLED AND SET INTO PLACE AS SHOWN ON THE "K-SERIES" DRAWINGS. IT IS THE MECHANICAL AND ELECTRICAL CONTRACTORS RESPONSIBILITY TO ROUGH-IN SERVICES AS IDENTIFIED ON THESE DRAWINGS PRIOR TO EQUIPMENT DELIVERY.

UPON COMPLETION OF ROOM FINISHES, THE KITCHEN EQUIPMENT CONTRACTOR (KEC) WILL SET ALL THEIR EQUIPMENT INTO PLACE, LEVEL AND MAKE READY FOR FINAL HOOK-UPS (BY MECHANICAL & ELECTRICAL CONTRACTORS).

UPON COMPLETION OF FINAL HOOK-UPS, THE KITCHEN EQUIPMENT CONTRACTOR (KEC) TOGETHER WITH THE MECHANICAL AND ELECTRICAL CONTRACTORS MUST COMPLETE A START-UP TO ENSURE ALL EQUIPMENT IS IN PROPER OPERATING CONDITION.

ELECTRICAL NOTES:

E1 - ALL HEIGHTS SHOWN ARE FOR ROUGH-IN PURPOSES ONLY AND ARE NOT FINAL CONNECTION LOCATIONS BUT APPROXIMATION FOR ESTIMATING PURPOSES ONLY. FINAL KITCHEN EQUIPMENT ROUGH-IN INFORMATION TO BE PROVIDED BY KEC.

E2 - THIS PLAN IDENTIFIES ONLY THE ELECTRICAL SERVICES REQUIRED FOR ACTUAL EQUIPMENT OPERATION.

E3 - ELECTRICAL CONTRACTOR TO INTERCONNECT DRAIN WATER TEMPERING KIT (SUPPLIED BY KEC) WITH DISHWASHER, ITEM #11 (SUPPLIED BY KEC)

MECHANICAL NOTES:

M1 - ALL HEIGHTS SHOWN REPRESENT ROUGH-IN HEIGHTS ONLY TO THE CENTER OF SERVICE AND ARE NOT FINAL CONNECTION LOCATIONS BUT APPROXIMATION FOR ESTIMATING PURPOSES ONLY. FINAL KITCHEN EQUIPMENT ROUGH-IN INFORMATION TO BE PROVIDED BY KEC.

M2 - THIS PLAN IDENTIFIES ONLY THE MECHANICAL SERVICES REQUIRED FOR ACTUAL EQUIPMENT OPERATION. OTHER MECHANICAL SERVICES MAY BE REQUIRED, AS NOTED ON MECHANICAL DRAWINGS.

M3 - KEC IS RESPONSIBLE FOR CONDENSATE DUCTWORK AND DUCTWORK CONNECTIONS TO INDIVIDUAL DISHWASHER DUCT TAKE-OFFS. INDIVIDUAL DUCTING WILL BE REQUIRED AS SHOWN.

M4 - MECHANICAL CONTRACTOR TO INSTALL SYPHON BREAKER, SOLENOID VALVE & SWIRL SPRAY, FOR ITEM #5, IN PIPING CONNECTION; REFER TO MANUFACTURERS INSTALLATION INSTRUCTIONS



BURNSTAD CONSULTING Ltd.

FOOD FACILITIES PLANNING SPECIALISTS

SUITE 311 - 316
WINDERMERE ROAD
EDMONTON, ALBERTA
T6W 2Z8
TEL (780) 414-6116
FAX (780) 414-6117
www.burnstadconsulting.com

COPYRIGHT RESERVED. THIS PLAN AND DESIGN IS AND AT ALL TIMES REMAINS THE EXCLUSIVE PROPERTY OF BURNSTAD CONSULTING LTD AND MAY NOT BE USED WITHOUT THE CONSULTANT'S WRITTEN CONSENT. THIS DRAWING IS NOT TO BE SCALED. THE CONTRACTOR IS TO VERIFY ALL DIMENSIONS BEFORE PROCEEDING WITH WORK. ALL DISCREPANCIES ARE TO BE IMMEDIATELY REPORTED TO THE CONSULTANT.

REVISIONS:

DR. GERALD ZETTER CARE CENTRE
EDMONTON, ALBERTA

Ware Washing Equipment Elevations & Details

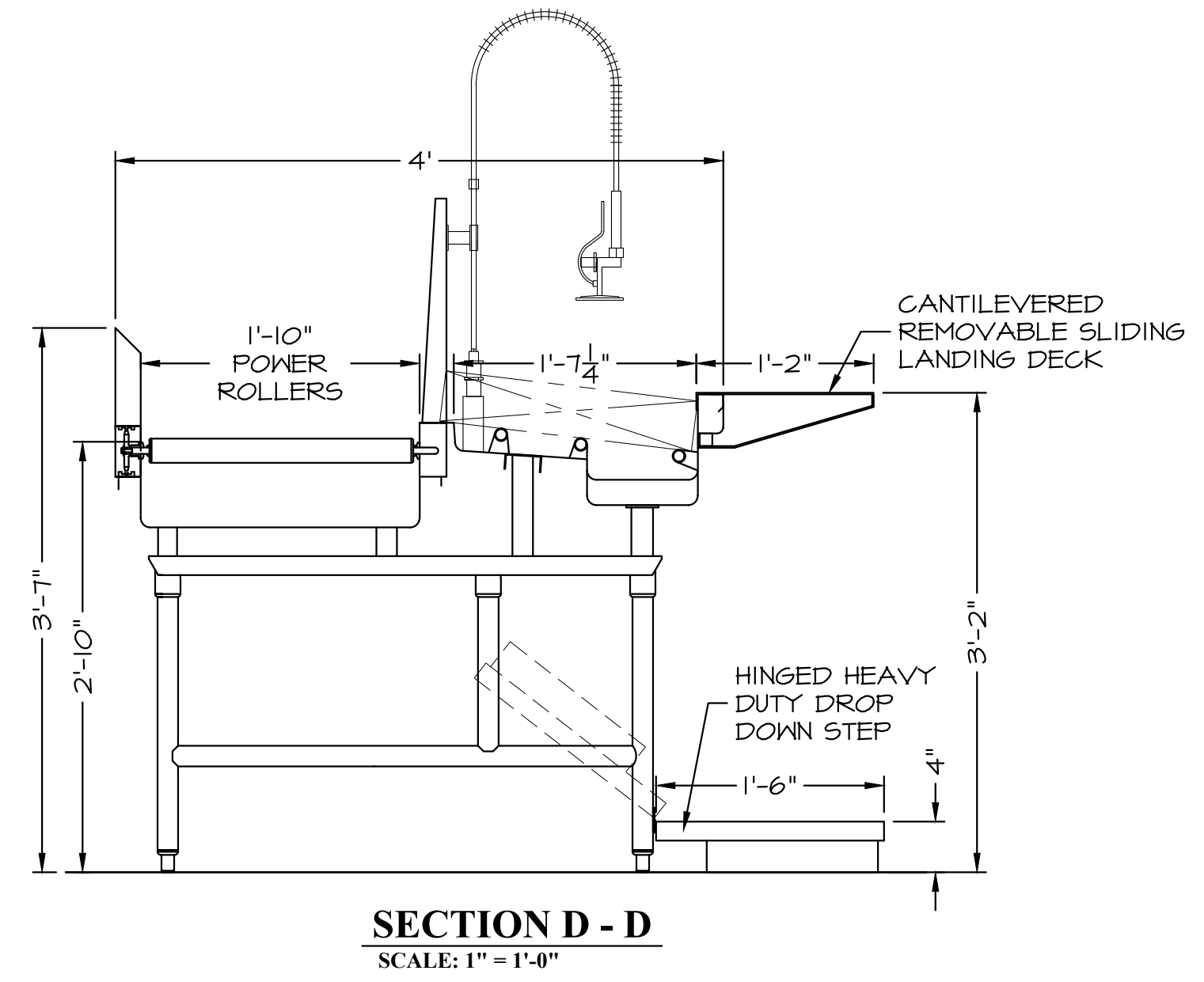
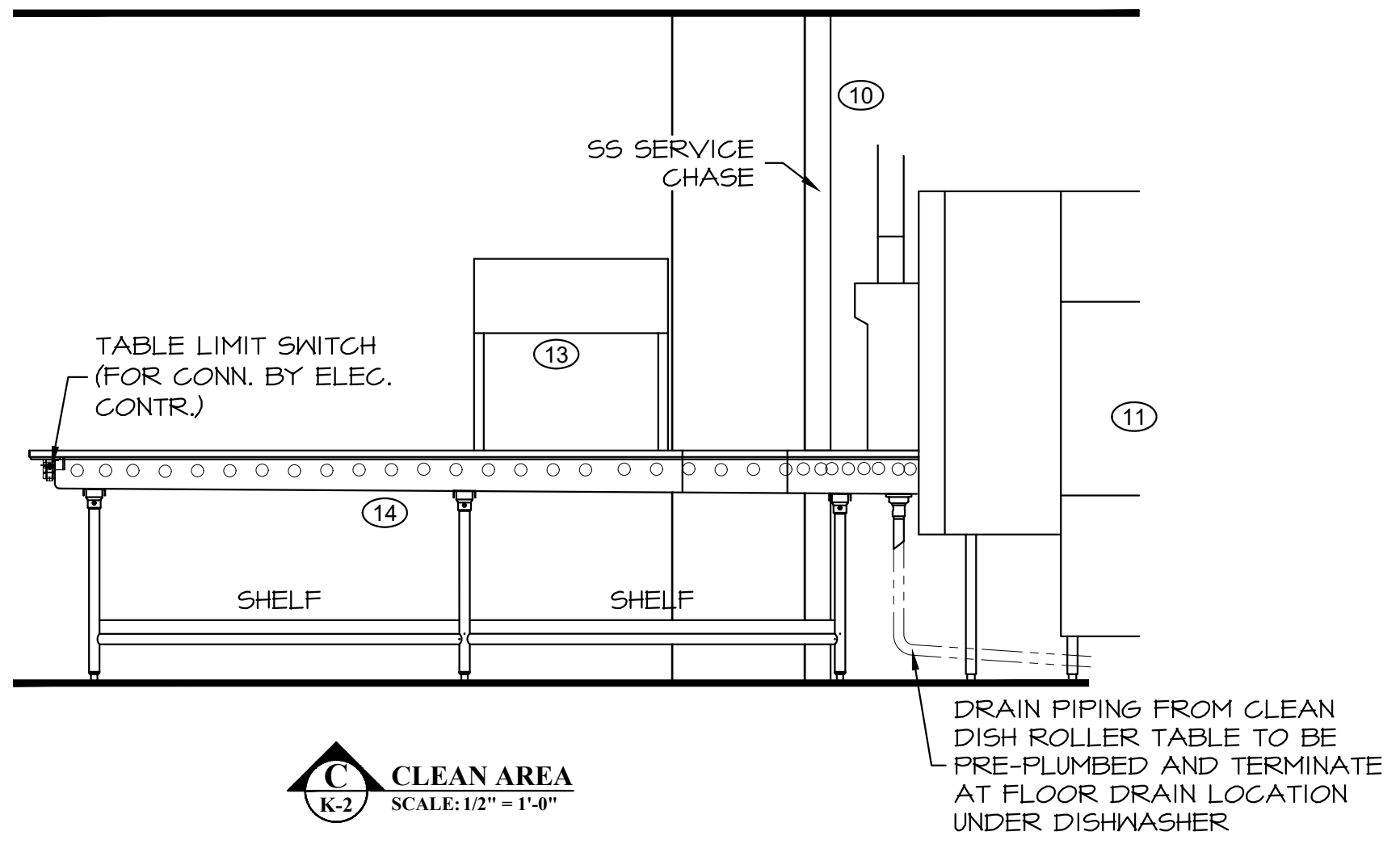
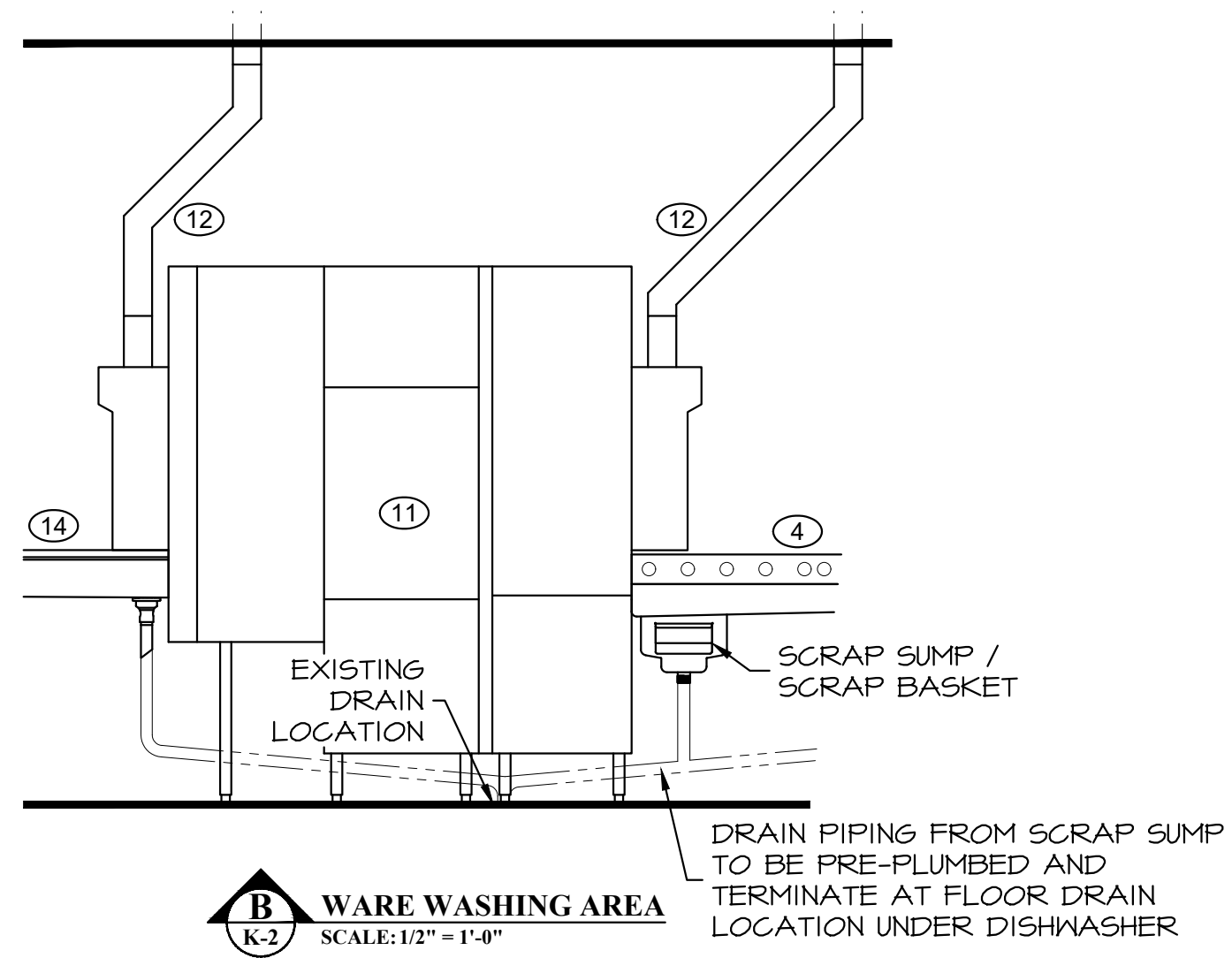
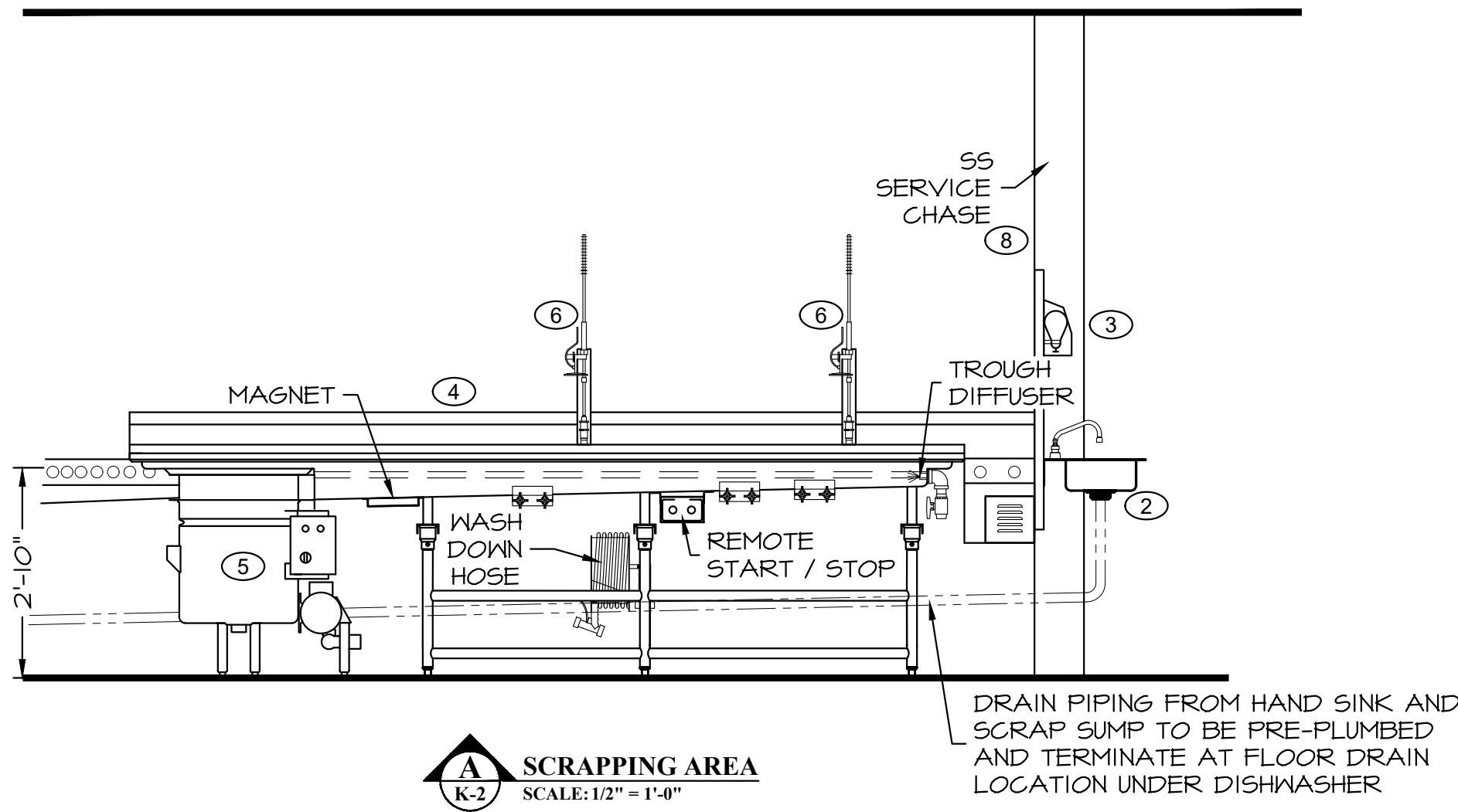
DATE: **August 15, 2023**

SCALE: **1/2" = 1'-0"**

DRAWN BY: **SCB**

DESIGNED BY: **DRB**

SHEET NO.: **K-4**



ELECTRICAL NOTES:

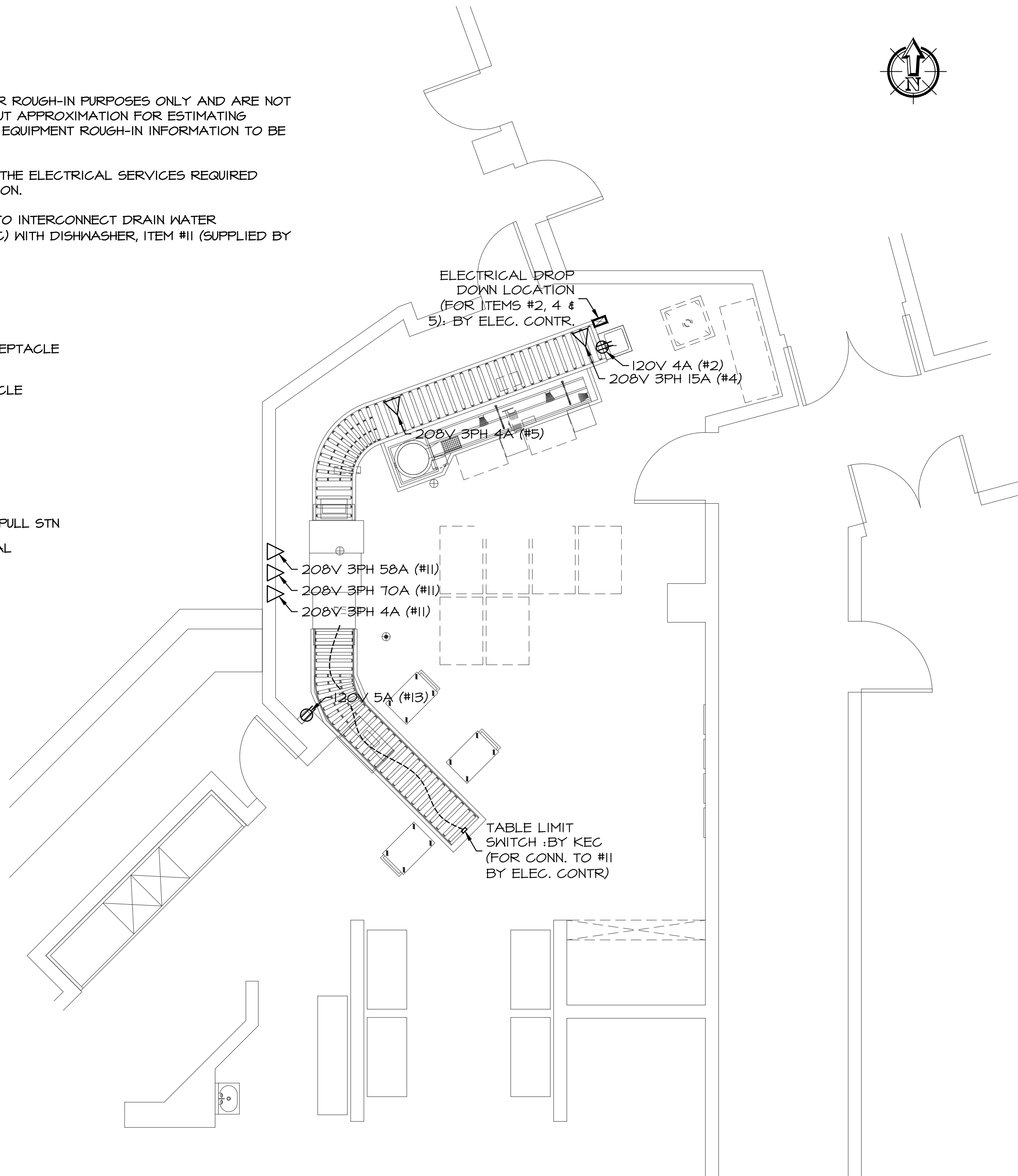
E1 - ALL HEIGHTS SHOWN ARE FOR ROUGH-IN PURPOSES ONLY AND ARE NOT FINAL CONNECTION LOCATIONS BUT APPROXIMATION FOR ESTIMATING PURPOSES ONLY. FINAL KITCHEN EQUIPMENT ROUGH-IN INFORMATION TO BE PROVIDED BY KEC.

E2 - THIS PLAN IDENTIFIES ONLY THE ELECTRICAL SERVICES REQUIRED FOR ACTUAL EQUIPMENT OPERATION.

E3 - ELECTRICAL CONTRACTOR TO INTERCONNECT DRAIN WATER TEMPERING KIT (SUPPLIED BY KEC) WITH DISHWASHER, ITEM #11 (SUPPLIED BY KEC)

ELECTRICAL SYMBOLS

- Ⓜ BACKSPLASH MOUNTED RECEPTACLE
- Ⓧ DUPLEX RECEPTACLE
- Ⓛ SPECIAL PURPOSE RECEPTACLE
- Ⓝ JUNCTION BOX
- Ⓛ LIGHT
- Ⓛ SINGLE PHASE WIRED IN
- △ THREE PHASE WIRED IN
- U/O UTILITY OUTLET
- Ⓛ FIRE SUPPRESSION REMOTE PULL STN
- ~ FIELD WIRING BY ELECTRICAL



**BURNSTAD
CONSULTING
Ltd.**

**FOOD FACILITIES
PLANNING SPECIALISTS**

SUITE 311 - 316
WINDERMERE ROAD
EDMONTON, ALBERTA
T6W 2Z8
TEL (780) 414-6116
FAX (780) 414-6117
www.burnstadconsulting.com

COPYRIGHT RESERVED. THIS PLAN AND DESIGN IS AND AT ALL TIMES REMAINS THE EXCLUSIVE PROPERTY OF BURNSTAD CONSULTING LTD AND MAY NOT BE USED WITHOUT THE CONSULTANTS WRITTEN CONSENT. THIS DRAWINGS IS NOT TO BE SCALED. THE CONTRACTOR IS TO VERIFY ALL DIMENSIONS BEFORE PROCEEDING WITH WORK. ALL DISCREPANCIES ARE TO BE IMMEDIATELY REPORTED TO THE CONSULTANT.

REVISIONS:

**DR. GERALD
ZETTER CARE
CENTRE**
EDMONTON, ALBERTA

**Ware Washing Area
Electrical Point Of
Service Plan**

DATE: **August 15, 2023**

SCALE: **1/4" = 1'-0"**

DRAWN BY: **SCB**

DESIGNED BY: **DRB**

SHEET NO.:
K-5a



BURNSTAD CONSULTING Ltd.

FOOD FACILITIES PLANNING SPECIALISTS

SUITE 311 - 316 WINDERMERE ROAD EDMONTON, ALBERTA T6W 2Z8
TEL (780) 414-6116
FAX (780) 414-6117
www.burnstadconsulting.com

COPYRIGHT RESERVED. THIS PLAN AND DESIGN IS AND AT ALL TIMES REMAINS THE EXCLUSIVE PROPERTY OF BURNSTAD CONSULTING LTD AND MAY NOT BE USED WITHOUT THE CONSULTANTS WRITTEN CONSENT. THIS DRAWINGS IS NOT TO BE SCALED. THE CONTRACTOR IS TO VERIFY ALL DIMENSIONS BEFORE PROCEEDING WITH WORK. ALL DISCREPANCIES ARE TO BE IMMEDIATELY REPORTED TO THE CONSULTANT.

REVISIONS:

DR. GERALD ZETTER CARE CENTRE EDMONTON, ALBERTA

Ware Washing Area Mechanical Point Of Service Plan

DATE:	August 15, 2023
SCALE:	1/4" = 1'-0"
DRAWN BY:	SCB
DESIGNED BY:	DRB

SHEET NO.: **K-5b**

MECHANICAL NOTES:

M1 - ALL HEIGHTS SHOWN REPRESENT ROUGH-IN HEIGHTS ONLY TO THE CENTER OF SERVICE AND ARE NOT FINAL CONNECTION LOCATIONS BUT APPROXIMATION FOR ESTIMATING PURPOSES ONLY. FINAL KITCHEN EQUIPMENT ROUGH-IN INFORMATION TO BE PROVIDED BY KEC.

M2 - THIS PLAN IDENTIFIES ONLY THE MECHANICAL SERVICES REQUIRED FOR ACTUAL EQUIPMENT OPERATION. OTHER MECHANICAL SERVICES MAY BE REQUIRED, AS NOTED ON MECHANICAL DRAWINGS.

M3 - KEC IS RESPONSIBLE FOR CONDENSATE DUCTWORK AND DUCTWORK CONNECTIONS TO INDIVIDUAL DISHWASHER DUCT TAKE-OFFS. INDIVIDUAL DUCTING WILL BE REQUIRED AS SHOWN.

MECHANICAL SYMBOLS

- ⊕ WASTE
- HOT OR COLD WATER
- ⊖ FLOOR DRAIN
- ⊕ FUNNEL FLOOR DRAIN
- HUB DRAIN
- ⊕ GAS CONNECTION
- ▬ DUCT CONNECTION
- REFRIGERATION/POP SLEEVE
- WASTE / WATER LINE BY MECHANICAL

